



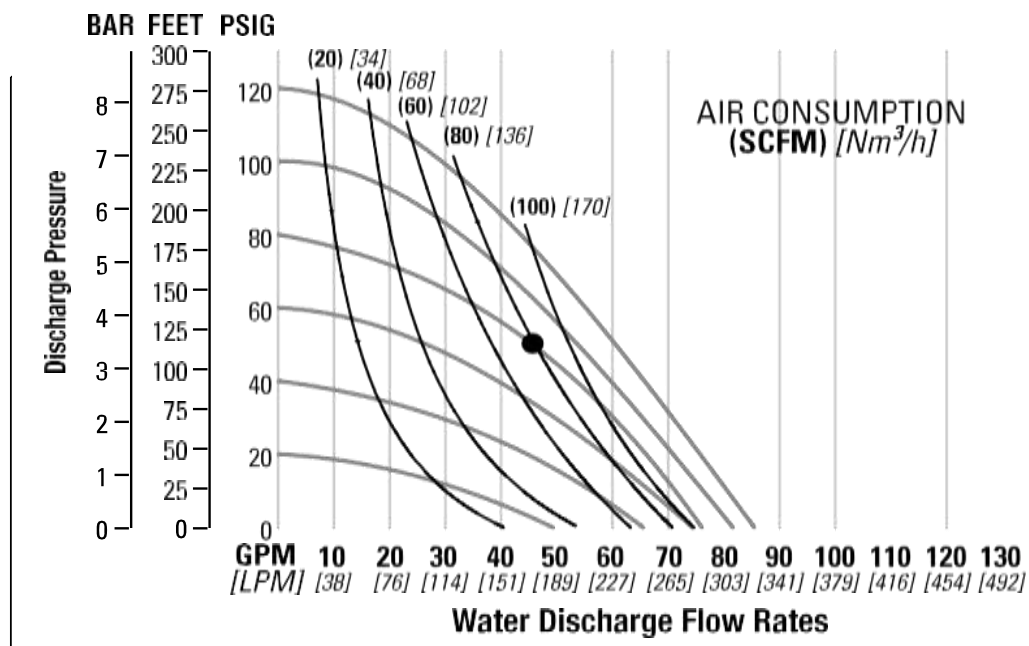
AIR OPERATED DOUBLE DIAPHRAGM PUMP

SECTION 1 – NOMENCLATURE

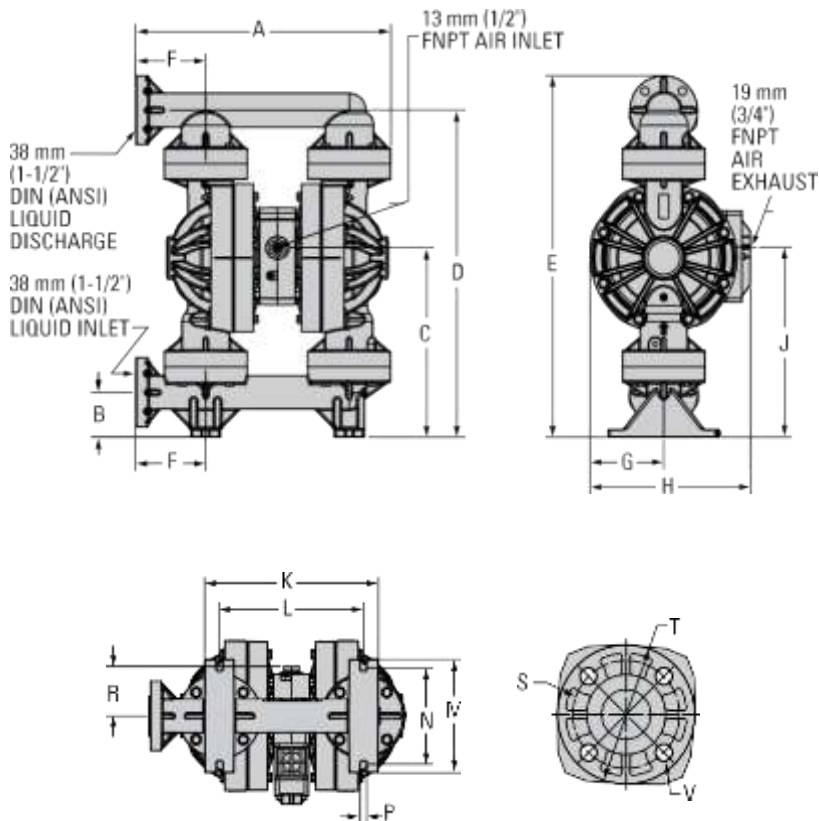
Max Flow rate	: 270Lpm
Port Size	: Inlet : 38.10mm (1 1/2" BSP) Discharge : 38.10mm (1 1/2" BSP) Air Inlet : 1/2" BSP Air Exhaust : 12.70mm (1/2" BSP)
Suction Lift	: Dry : 4.57m (15') Wet : 7.62m (25')
Teflon	: Dry : 3.05m (10') Wet : 6.09m (20')
Max Particle Size (Dia)	: 4.76mm (0.188")
Diaphragm	: Teflon, <u>Santoprene</u> , Buna



SECTION 2 – FLOW CURVES

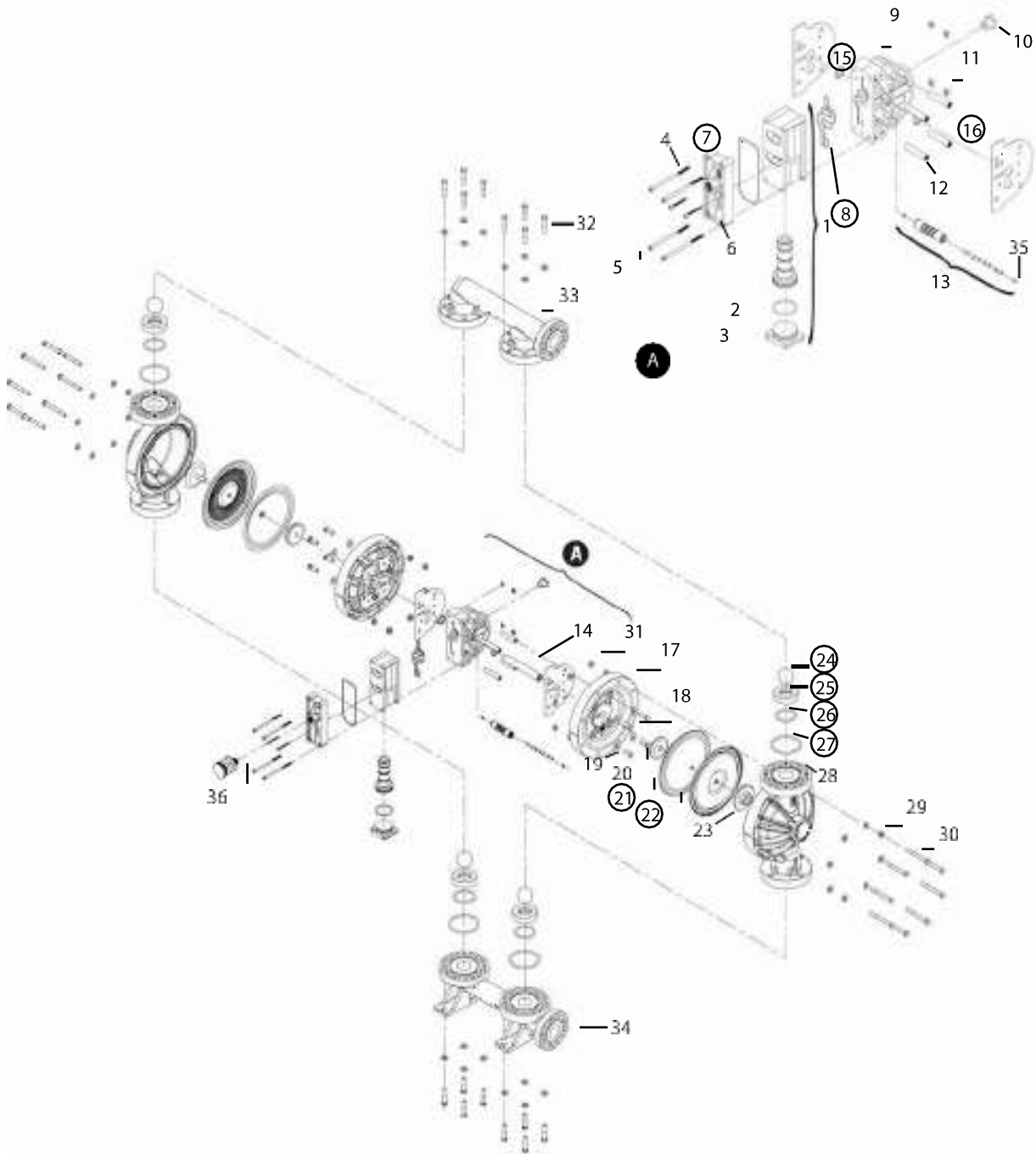


SECTION 3 – DIMENSIONS DRAWING



ITEM	METRIC (MM)	STANDARD (inch)
A	478	18.8
B	81	3.2
C	348	13.7
D	605	23.8
E	668	26.3
F	130	5.1
G	137	5.4
H	300	11.8
J	351	13.8
K	325	12.8
L	269	10.6
M	208	8.2
N	175	6.9
P	13	0.5
R	91	3.6
DIN FLANGE		
S	110 DIA.	4.3 DIA.
T	150 DIA.	5.9 DIA.
V	18 DIA.	.7 DIA.
ANSI FLANGE		
S	97 DIA.	3.8 DIA.
T	127 DIA.	5.0 DIA.
V	15 DIA.	.6 DIA.

SECTION 4 – PUMP VIEW



SECTION 5 – SPARE PART LIST

No.	Part Description	Qty.	Polypropylene
1	Air Valve Assembly	1	N04-2000-20-700
2	O-Ring(-225), End Cap (1.859" x .139")	1	N04-2390-52-700
3	End Cap	1	N04-2330-20-700
4	Screw, HHC, Air Valve (1/4" x 4.5")	4	N01-6000-03
5	Screw, SHCS, 10-16 x 1.75"	2	N04-6351-03
6	Muffler Plate	1	N04-3180-20-700
7	Gasket, Muffler Plate	1	N04-3500-52-700
8	Gasket, Air Valve	1	N04-2600-52-700
9	Center Block Assembly	1	N04-3110-20
10	Bushing, Reducer, NPT/BSP Combo	1	N04-6950-20-700
11	Nut, Hex 1/4"-20	4	N00-6505-03
12	Sleeve, Threaded, Center Block	4	N04-7710-08
13	Removable Pilot Sleeve Assembly	1	N04-3882-99
14	Shaft	1	N04-3842-03
15	Slyder Ring	2	N08-3210-55-225
16	Gasket, Center Block	2	N04-3526-52
17	Air Chamber	2	N04-3681-20
18	Washer, Flat, 3/8" x 13/32"	8	N04-6741-03
19	Screw, HHCS 3/8" -16 x 1-1/4"	8	N04-6190-03
20	Inner Piston	2	N04-3752-03
21	Diaphragm, Back-up	2	*N04-1060-51
22	Diaphragm, PTFE	2	*N04-1010-55-42
23	Outer Piston	2	N04-4600-20-500
24	Valve Ball	4	*N04-1080-55
25	Valve Seat	4	N04-1125-20
26	Valve Seat O-Ring (2.250" x .210")	4	*N08-1300-60-500
27	Manifold O-Ring (3.350" x .210")	4	N04-1371-60
28	Chamber, Liquid	2	N04-5005-20
29	Washer, Flat	32	N08-6740-03
30	Screw, HHCS, 3/8" - 16 x 3.50"	16	N04-6191-03
31	Nut, Hex Flange, 3/8" - 16	16	N04-6435-03
32	Screw, HHC, 3/8" - 16 x 1.75"	16	N04-6181-03
33	Manifold, Discharge	1	N04-5030-20
34	Manifold, Inlet	1	N04-5090-20
35	Pilot Spool Retaining O-Ring	2	N04-2650-49-700
36	Muffler	1	N08-3510-99